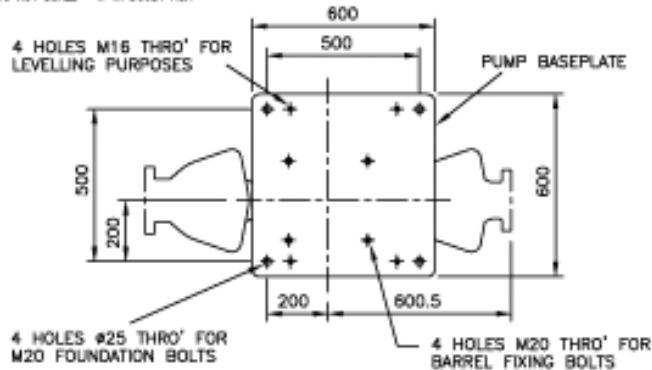
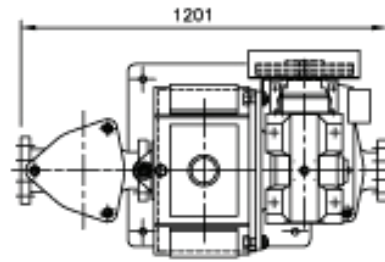


DO NOT SCALE - IF IN DOUBT ASK

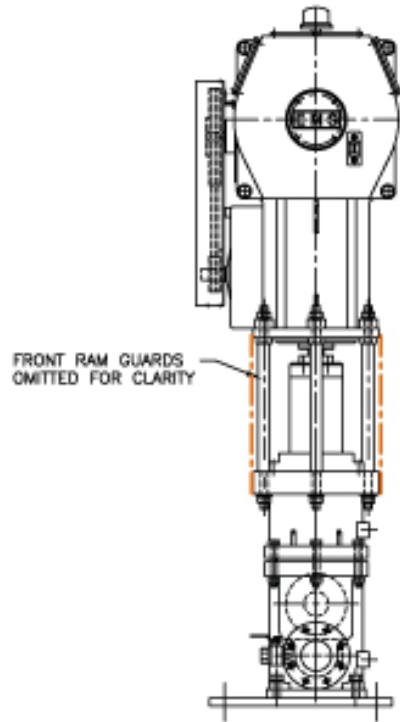
ALL DIMENSIONS ARE METRIC UNLESS OTHERWISE STATED



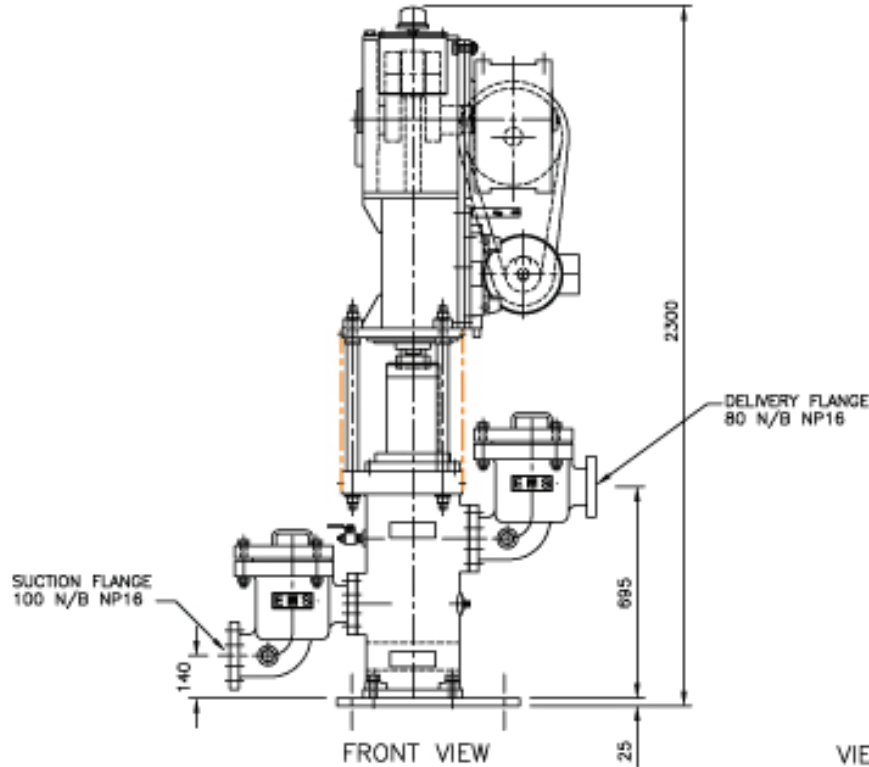
FOUNDATION DETAILS



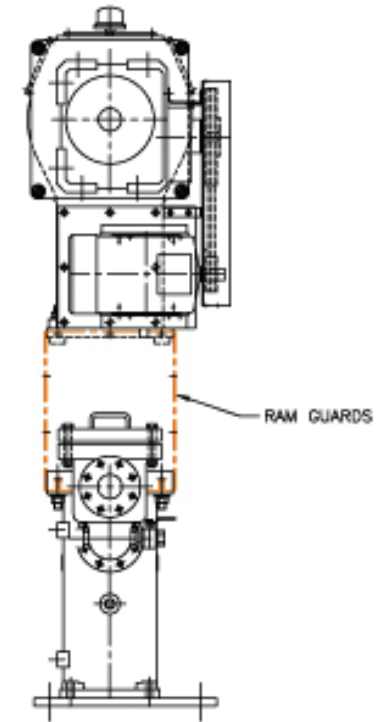
PLAN VIEW



VIEW ON SUCTION SIDE



FRONT VIEW



VIEW ON DELIVERY SIDE

CERTIFIED FOR			
<input type="checkbox"/> MANUFACTURE	<input type="checkbox"/> APPROVAL		
<input type="checkbox"/> REFERENCE	<input type="checkbox"/> DESIGN		
CONTRACT No. _____	DATE _____		

ASSEMBLED WEIGHT = 1300 Kgs.

PART No. _____ A2

EMS EMS Industries Ltd
 7 Tursall Road Industrial Estate, Kroppeley, Stoke-on-Trent, ST8 7BD
 Telephone : (01782)910050 Fax : (01782)910052

REVISION
 'A' FIRST ISSUE

TOLERANCE UNLESS OTHERWISE STATED
 DIAIT ±1.5(0.067) FIN ±1.5(0.067) M/C ±0.25(0.01")
 MACHINE SURFACE UNLESS OTHERWISE STATED
 per No 1.8 to 3.2

ORDER No	QTY :
MATERIAL	
FINISH	
THIS DRAWING IS CONFIDENTIAL AND IS THE PROPERTY OF EMS INDUSTRIES LTD IF MUST NOT BE DISCLOSED TO A THIRD PARTY COPIED OR LENT WITHOUT THE WRITTEN CONSENT OF EMS INDUSTRIES LTD.	

DESCRIPTION				
VRM175 GENERAL ARRANGEMENT				
SCALE	DRAWN	HCP	17.10.03	DRAWING No.
1:12	CHECKED			VRM175/ GA002
				REV
				A