

DO NOT SCALE - IF IN DOUBT ASK

ALL DIMENSIONS ARE METRIC UNLESS OTHERWISE STATED

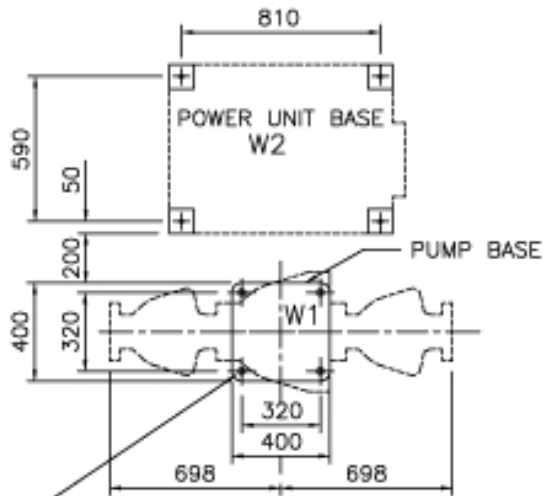
CERTIFIED FOR

MANUFACTURE APPROVAL

REVISION BACKLOG

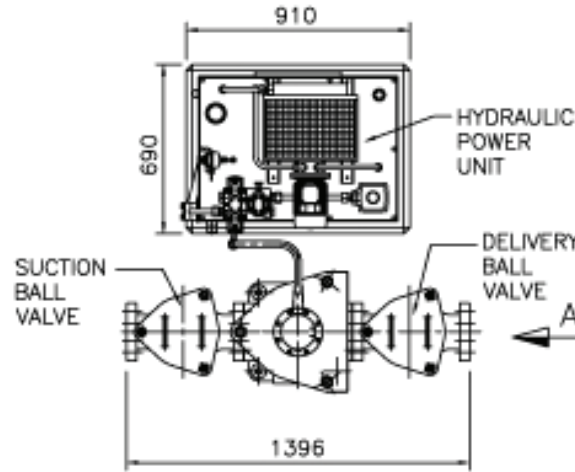
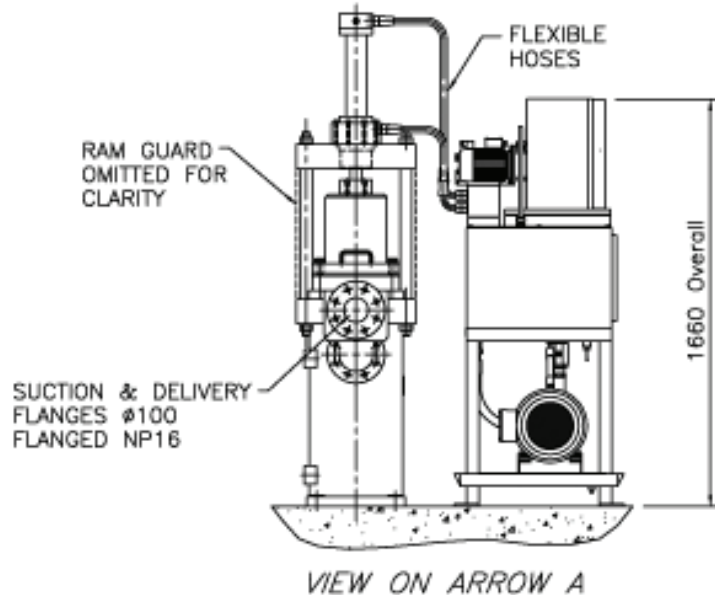
CONTRACT No. _____

REV. _____ DATE _____



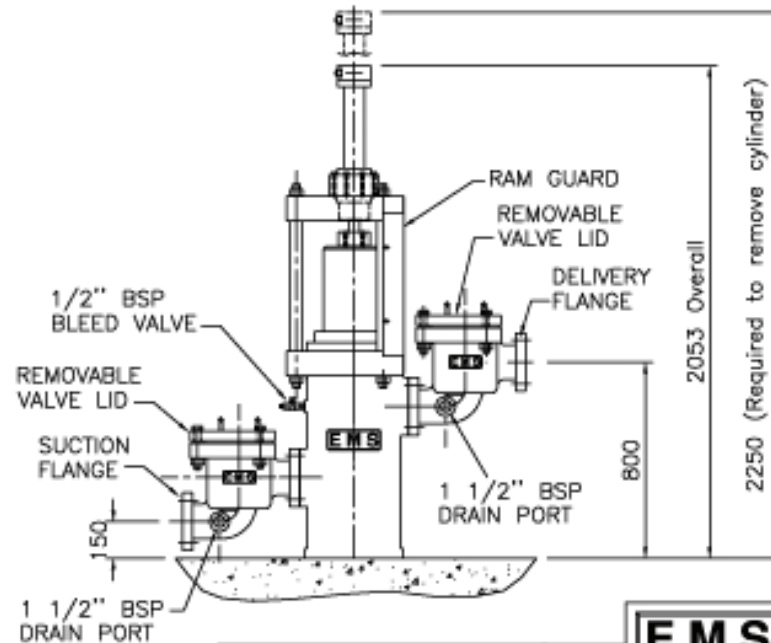
4-off $\varnothing 26$ MOUNTING HOLES FOR M24 FOUNDATION BOLTS

FOUNDATION DETAILS



PUMP DATA	
MODEL	VRH250/10/300
MAX. PUMP PRESSURE	10 BAR
MAXIMUM PUMP OUTPUT	300 L.P.M.
POWER UNIT MAIN MOTOR	11 Kw.
POWER UNIT COOLER MOTOR	0.37 Kw.

FLOOR LOADING	WEIGHT (Kgs.)
PUMP W1	1300
POWER UNIT W2 (INCLUDING OIL)	450



PART No. _____ A2

EMS Engineering & Machinery Services Ltd
 7 Tunstall Road Industrial Estate, Kingsley, Stoke-on-Trent, ST6 7BD
 Telephone : (01782)510051 Fax : (01782)510052

REVISION
 'A' FIRST ISSUE

TOLERANCE UNLESS OTHERWISE STATED
 CAST $\pm 1.0(0.06)$ FAB $\pm 1.0(0.06)$ M/C $\pm 0.25(0.01)$
 MACHINE SURFACE UNLESS OTHERWISE STATED
 per ISO 1.6 to 3.2

ORDER No _____ QTY : 1

MATERIAL _____

FINISH _____

THIS DRAWING IS CONFIDENTIAL AND IS THE PROPERTY OF ENGINEERING AND MACHINERY SERVICES LTD IT MUST NOT BE DISCLOSED TO A THIRD PARTY COPIED OR LENT WITHOUT THE WRITTEN CONSENT OF ENGINEERING AND MACHINERY SERVICES LTD.

DESCRIPTION
VR250/ 10/ 300 PUMP & POWER UNIT G.A.

SCALE 1=15

DRAWN	HCP	12.02.02	DRAWING No.	REV
CHECKED			VR250/ A005	A