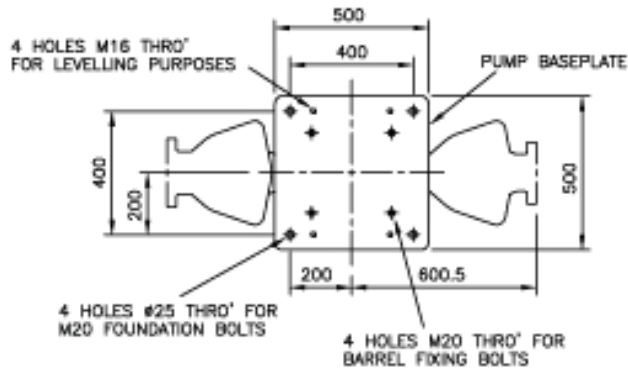
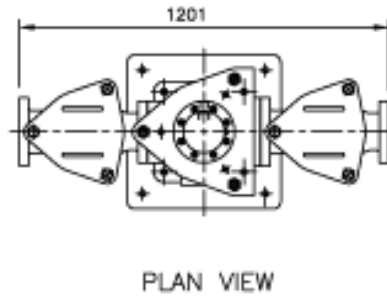


DO NOT SCALE - IF IN DOUBT ASK

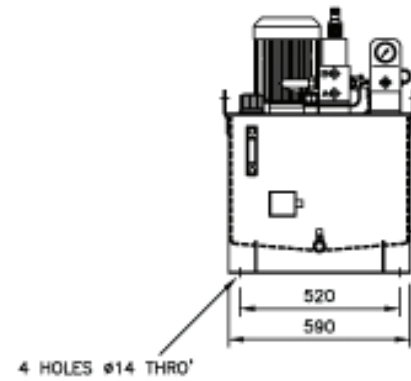
ALL DIMENSIONS ARE METRIC UNLESS OTHERWISE STATED



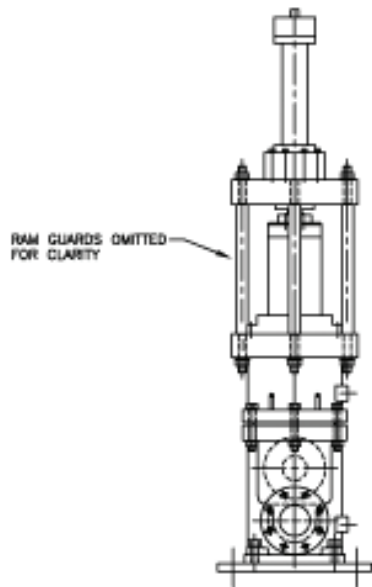
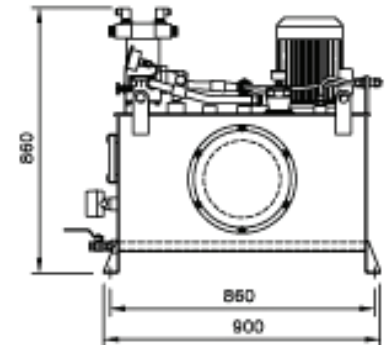
FOUNDATION DETAILS



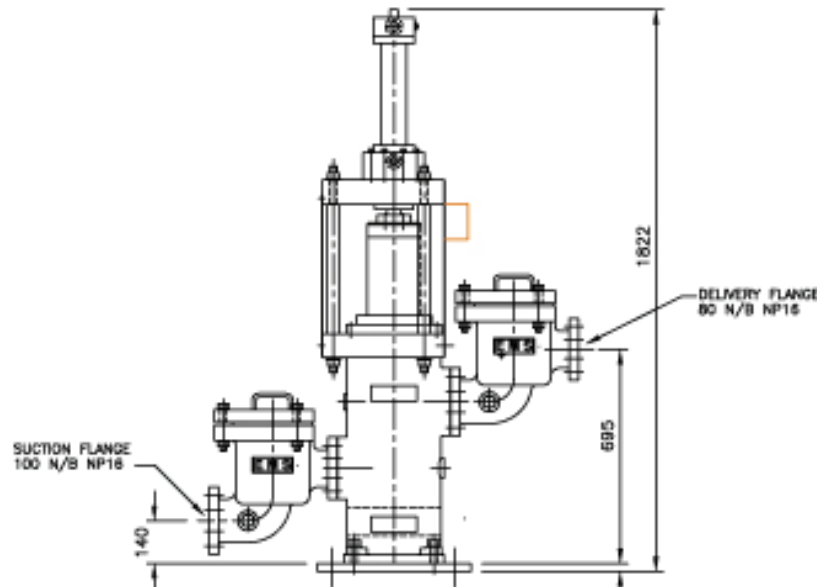
PLAN VIEW



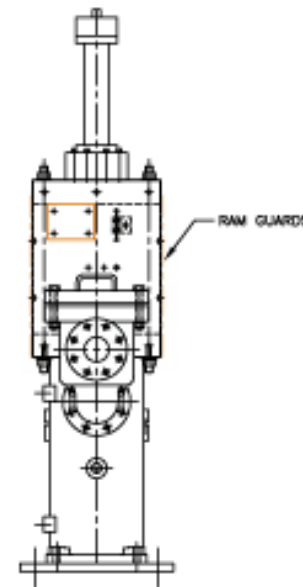
HYDRAULIC POWER UNIT



VIEW ON SUCTION SIDE



FRONT VIEW



VIEW ON DELIVERY SIDE

| | | | |
|--------------------------------------|-----------------------------------|-----------------------------------|--------------------------------------|
| CERTIFIED FOR | | | |
| <input type="checkbox"/> MANUFACTURE | <input type="checkbox"/> APPROVAL | <input type="checkbox"/> REVISION | <input type="checkbox"/> DISPOSITION |
| CONTRACT No. _____ | | DATE _____ | |

VRH175 PUMP WEIGHT = 800 Kgs.

PART No. _____ A2

EMS EMS Industries Ltd
 7 Turatol Road Industrial Estate, Kingsley, Stoke-on-Trent, ST8 7BB
 Telephone : (01782)510051 Fax : (01782)510052

| | | | | | | |
|-----------------------------|---|------------------------|---|-----------|---------|------------------------------|
| REVISION 'A' FIRST ISSUE | TOLERANCE UNLESS OTHERWISE STATED CAST ±1.0(0.06) F68 ±1.0(0.06) M/C ±0.25(0.017) MACHINE SURFACE UNLESS OTHERWISE STATED JW No 1.8 to 3.2 | ORDER No _____ QTY : 1 | DESCRIPTION VRH175 GENERAL ARRANGEMENT | | | |
| | THIS DRAWING IS CONFIDENTIAL AND IS THE PROPERTY OF EMS INDUSTRIES LTD IT MUST NOT BE DISCLOSED TO A THIRD PARTY COPIED OR LENT WITHOUT THE WRITTEN CONSENT OF EMS INDUSTRIES LTD. | MATERIAL _____ | SCALE 1:12 | DRAWN HCP | 30.5.03 | DRAWING No. VRH175/ GA001 |
| | | FINISH _____ | CHECKED _____ | REV A | | |
| | | | | | | |